

T-4, T-4L, LF-1 Laboratory furniture



If you have any feedback on our products or services, we would like to hear from you.
Please send all feedback to:

Manufacturer:

SIA Biosan
Ratsupites iela 7 k-2, Riga, LV-1067, Latvia

Phone: +371 674 261 37

Fax: +371 674 281 01

<https://biosan.lv/>

Marketing: marketing@biosan.lv

Service: service@biosan.lv

1. General information

Current edition of instructions applies to the following models of laboratory furniture:

- **T-4** table;
- **T-4L** table;
- **LF-1** laboratory cabinet.

2. Standard set

2.1. T-4 table

- Screws M6x40.....	10 pc.
- Screws M6x50.....	4 pc.
- Screws M6/9x12x15.....	6 pc.
- Screws 3.5x20 mm.....	6 pc.
- Hex key	2 pc.
- Leg supports with wheels	2 pc.
- Horizontal bars	1 pc.
- Back panel	1 pc.
- Table top	1 pc.
- Guiding rails	2 pc.
- Drawer	1 pc.
- Assembly instructions.....	1 copy

2.2. T-4L table

- Screws M6x35.....	4 pc.
- Screws M6x40.....	6 pc.
- Screws M6/9x12x15.....	6 pc.
- Screws M6x50.....	4 pc.
- Hex key	2 pc.
- Leg supports with wheels	2 pc.
- Horizontal bar	1 pc.
- Back panel	1 pc.
- Tabletop with drawer	1 pc.
- Assembly instructions.....	1 copy

2.3. LF-1 laboratory cabinet

- Laboratory cabinet with drawers and wheels	1 pc.
- Assembly instructions.....	1 copy

3. Assembly.

3.1. T-4 table

- Assemble the frame by joining 2 legs and 1 horizontal bar with 4 M6x40 screws (blue on figure 1).
- Secure the back panel on the frame with 6 pairs of M6x40 and M6/9x12x15 screws (green on figure 1).
- Secure the guiding rails on the underside of tabletop with 6 3,5x20 mm screws (yellow on figure 1).
- Position and secure the tabletop with 4 M6x50 screws (red on figure 1).
- Position the drawer on the guiding rails.

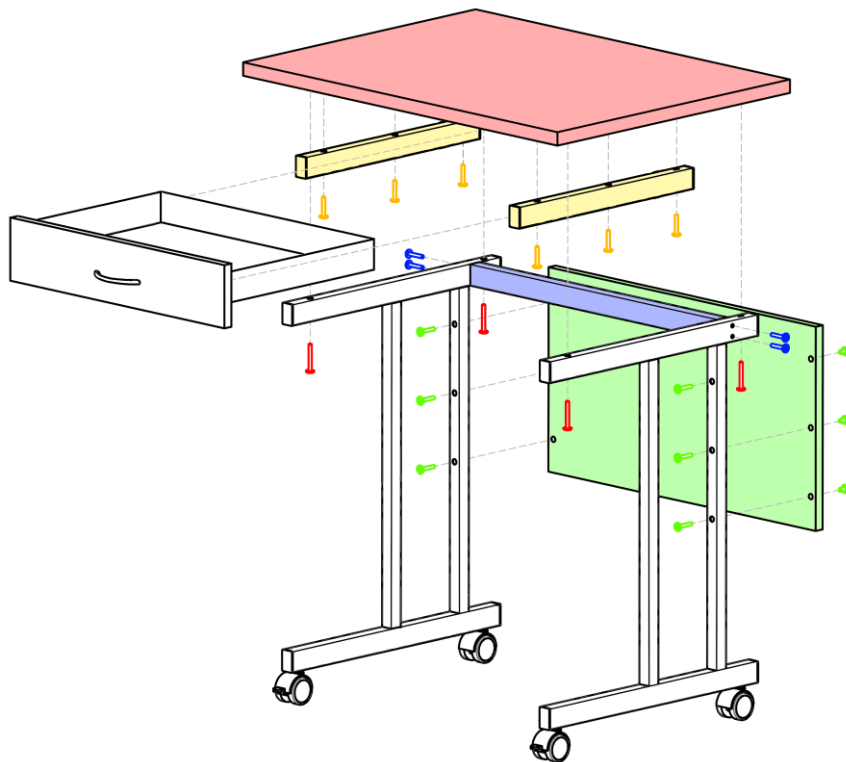


Figure 1. T-4 assembly

3.2. T-4L table

- Assemble the frame by joining 2 legs and the horizontal bar with 4 M6x35 screws (blue on figure 2).
- Secure the back panel on the frame with 6 pairs of M6x40 and M6/9x12x15 screws (green on figure 2).
- Position and secure the tabletop with 4 M6x50 screws (red on figure 2).

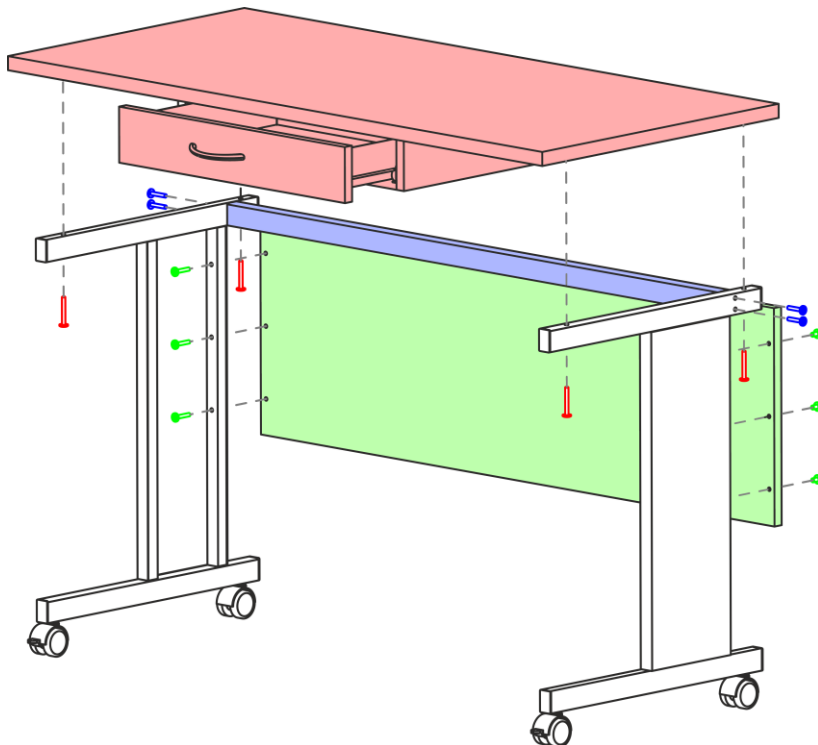


Figure 2. T-4L assembly

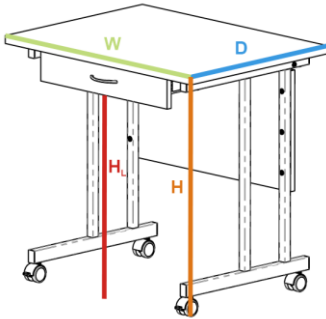
3.3. LF-1 laboratory cabinet.

- The cabinet is supplied ready for work, no assembly required.
- 3.4. Reposition the furniture and block the front wheels to lock the furniture in place.

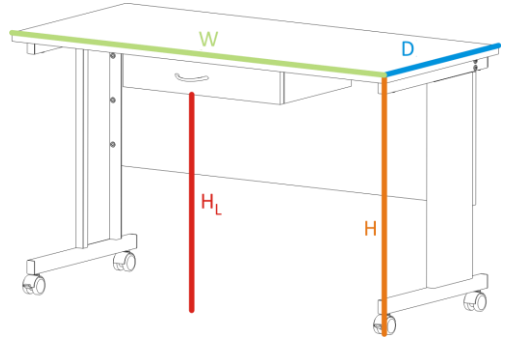
4. Specifications

Furniture unit is designed for operation in cold rooms and closed laboratory rooms at ambient temperature from +4°C to +40°C in a non-condensing atmosphere and maximum relative humidity 80% for temperatures up to 31°C decreasing lin-early to 50% relative humidity at 40°C.

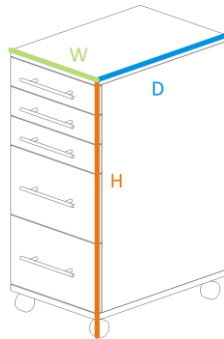
Manufacturer is committed to a continuous programme of improvement and reserves the right to alter design and specifications of the equipment without additional notice.



T-4



T-4L



LF-1

Model	T-4	T-4L	LF-1
Width (W)	800 mm	1290 mm	300 mm
Depth (D)	600 mm	600 mm	450 mm
Height (H)	770 mm	770 mm	705 mm
Legspace height (HL)	640 mm	640 mm	–
Drawer count	1	1	5
Maximum load	50 kg	75 kg	30 kg
Weight, accurate within $\pm 10\%$	23 kg	36 kg	25 kg

5. Maintenance and care

5.1. Service.

5.1.1. If the unit requires maintenance, contact Biosan or your local Biosan representative.

5.1.2. All maintenance and repair operations (except listed below) must be performed only by qualified and specially trained personnel.

5.2. Cleaning and disinfection.

5.2.1. Use mild soap and water with a soft cloth or sponge for cleaning. Rinse remaining washing solution with distilled water. Wipe dry the excess water with clean, soft cloth or sponge.

5.2.2. To disinfect the furniture unit, use a DNA/RNA removing solution (e.g., Biosan PDS-250). After disinfecting, wipe the surfaces dry.

6. Warranty

6.1. The Manufacturer guarantees the compliance of the unit with the requirements of Specifications, provided the Customer follows the operation, storage and transportation instructions.

6.2. The warranted service life of the unit from the date of its delivery to the Customer is 24 months. For extended warranty, contact your local Biosan representative or our service department through the **Technical support** section on our website at the link below.

6.3. Warranty covers only the units transported in the original package.

6.4. If any manufacturing defects are discovered by the Customer, an unsatisfactory equipment report shall be compiled, certified and sent to the local distributor address. To obtain the claim form, visit **Technical support** page on our website at link below.

Technical support



biosan.lv/en/support

Biosan SIA

Ratsupites 7 k-2, Riga, LV-1067, Latvia

Phone: +371 67426137 Fax: +371 67428101

<https://www.biosan.lv>

Edition 1.02 – September of 2021